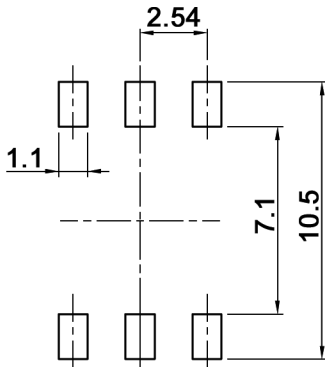


P.C.B. LAND DIMENSIONS



Y	Manufacturing year
9	2019
0	2020
1	2021
2	2022

M	Manufacturing month
1	January
...	...
9	September
0	October
N	November
D	December

	Real coded				
	C	1	2	4	8
0	●				
1		●			
2	●		●		
3	●	●	●		
4	●			●	
5	●	●		●	
6	●		●	●	
7	●	●	●	●	
8	●				●
9	●	●			●
A	●		●		●
B	●	●	●		●
C	●			●	●
D	●	●		●	●
E	●		●	●	
F	●	●		●	●

Compliance: RohS III (2015/863/EU)

Tolerances:	Date	Name
		10/22
Material	02/23	dr
Modifications	Date	Name

SMR 13016 (T)

knitter-switch

30 49 05

Page

1/3

Specifications:

Contact rating: non-switching: 100 mA, 50 V DC
switching: 100 mA, 5 V DC
min.: 1 µA, 20 mV AC/DC

Contact resistance: 200 mOhm max. (1 kHz, 20 mA)

Insulation resistance: 1000 MOhm min. at 100 V DC for 1 minute

Dielectric strength: 250 V AC (50/60 Hz, 2 mA) for 1 minute

Operating temperature: -40°C to +85°C

Storage temperature: -40°C to +85°C

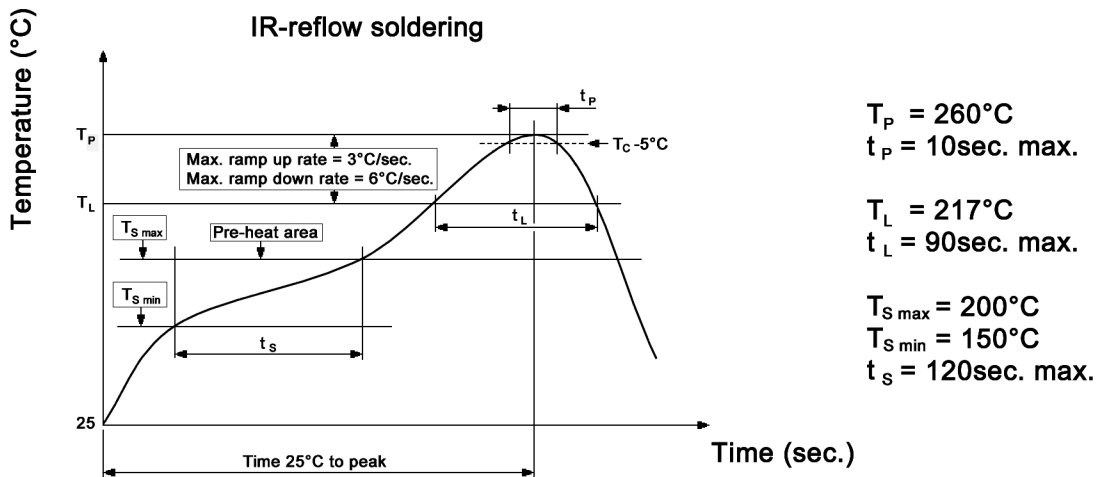
Mechanical life: 20 000 cycles

Electrical life: 20 000 cycles

Rotational torque: 24.5 mN.m max.

Material: Terminal: C5191, gold plated
Case: LCP, dark grey
Cover: SUS, washing
Contact plate: BeCu, gold plated
Spring plate: SUS, washing
Rotor: PPA, ivory
Gasket: silicone rubber, black

Soldering conditions:

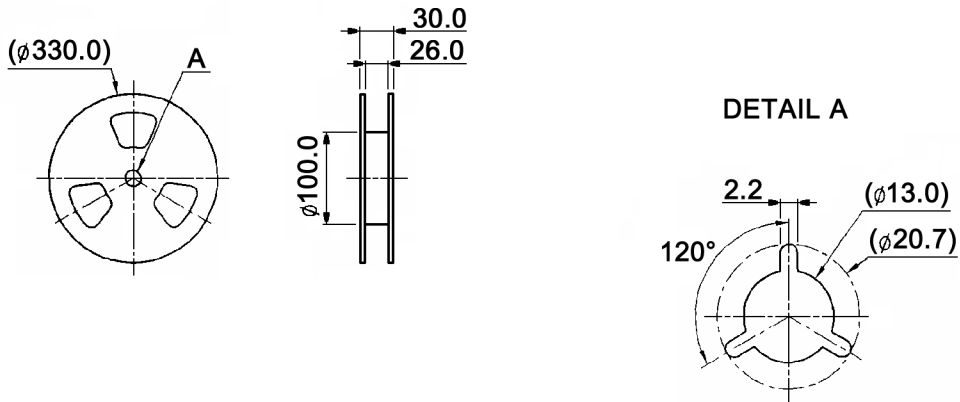


Compliance: RohS III (2015/863/EU)

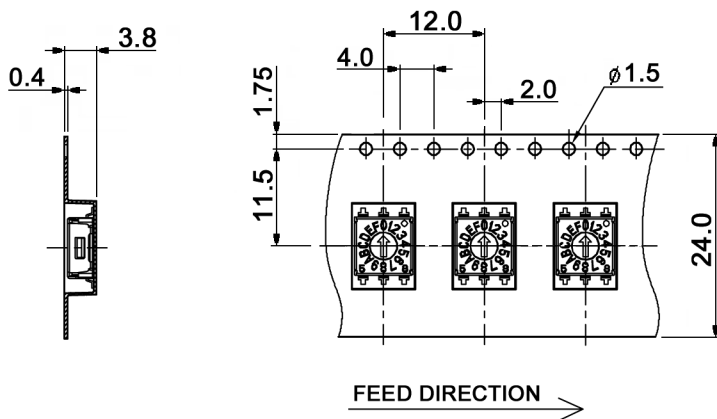
Tolerances:			Date	Name	SMR 13016 (T)
			10/22	dr	
			knitter-switch		30 49 05
Material	02/23	dr			Page
Modifications	Date	Name			2/3

Packaging:

REEL:

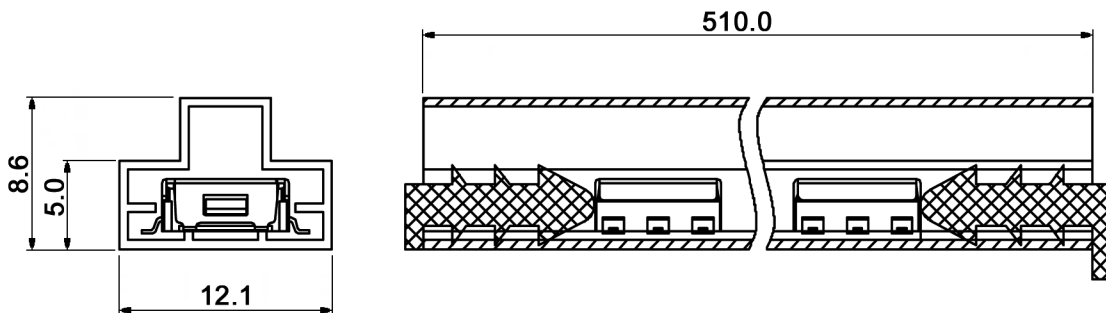


CARRIER TAPE



Ordering code	Packaging unit
SMR 13016	65 pcs. / tube
SMR 13016 T	1000 pcs. / reel

TUBE:



Compliance: RohS III (2015/863/EU)

Tolerances:		Date	Name	<h1>SMR 13016 (T)</h1>
		10/22	dr	
Material	02/23	dr	<h2>knitter-switch</h2>	<h2>30 49 05</h2>
Modifications	Date	Name		